

Finally, a product has come along which can eliminate the number one problem faced by Fleet Managers – key control. Fleet Managers are tired of hearing that age old question, “Where are the keys?” The answer is Elante!

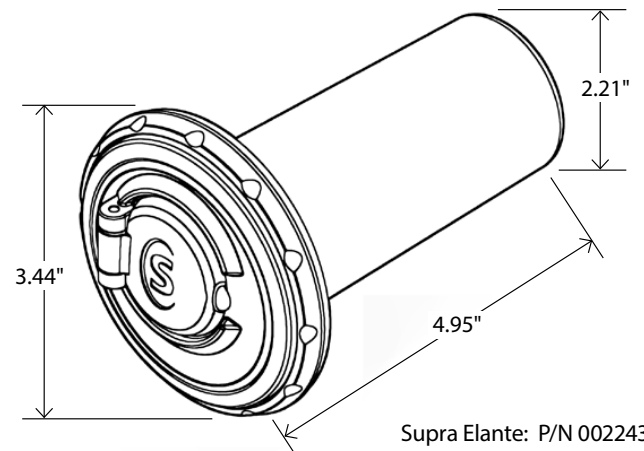
Elante is a solid metal key storage tube designed specifically for automotive fleet key applications. Designed with input from fleet managers and fleet maintenance technicians, Elante permanently installs for secure and concealed ignition key storage.

Features

Concealed storage tube

- Exterior harmonizes with vehicle design
- White color matches most commercial and industrial fleets
- Large containment capacity
- Cast metal construction
- Exclusive keyway assigned to each fleet
- Excellent weather resistance
- Installs permanently in minutes

Servicing vehicles is a job often made more difficult when the keys are not available. Whether serviced by in-house technicians or contract mechanic services, realize instant savings in time and efficiency through the installation of the Elante key storage tube.



Elante Keeps Your Keys Where They're Needed



800-547-0252 • www.suprasystems.com • fleetsales@suprasystems.com

Supra
4001 Fairview Industrial Dr. SE
Salem, Oregon USA 97302

© 2017 United Technologies Corporation. All rights reserved.
Supra is a part of UTC Climate, Controls & Security, a unit of
United Technologies Corporation.