

Assist your customers faster with the Max

The Max is the most economical KeyBox designed by Supra for automotive applications. Made from durable zinc alloy, its unique one-piece construction and hinged lid provide durability and ease of use.

The Max has proven its worth in the automotive market, and has been used by thousands of dealerships over the years.

Features

- Durable zinc alloy construction
- Weatherized interior
- Protective foam pad
- Double riveted stainless steel hanger
- Personalized nameplate available

Benefits

- Service customers faster
- Improve efficiency of operations
- Salespeople can stay with prospects throughout the sales process

The Max uses a Title key system which allows access only by those with a properly coded key. A dry lock lid shields the Title lock mechanism from corrosion due to dirt and moisture while the padded foam back prevents damage to the vehicle window.

The Max attaches easily to the window of any vehicle with a stainless steel hanger that is securely riveted to the KeyBox.



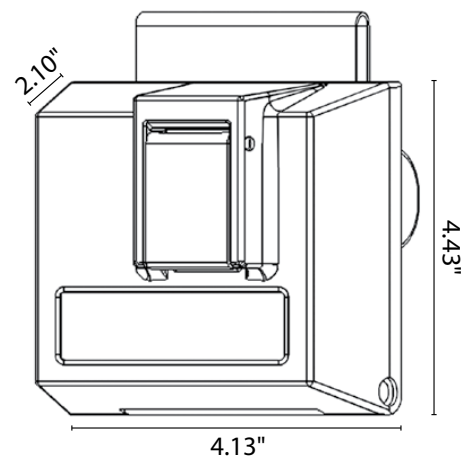
Supra Max

P/N 001999

Industrial Max

P/N 164144

A permanent-mount version that can be mounted to fleet vehicles or to buildings and parking stalls for parking applications.



800-889-8295

www.keyadvantage.com • keyadvantage@suprasystems.com

Supra
4001 Fairview Industrial Dr. SE
Salem, Oregon USA 97302