

The durable Magnum keeps keys with the vehicle

Magnum is Supra's most durable mechanical KeyBox for the automotive market. It features thick sidewalls made from non-corrosive zinc alloy.

Using the proven Title lock and key system which permits only authorized access, the Magnum is completely compatible with all of Supra's Max and Indigo® KeyBoxes.

Features

- Greater storage capacity for multiple keys and remote devices
- Improved tamper resistance
- Improved durability
- Proprietary Title lock
- Personalized nameplates available

Benefits

- Service customers faster
- Improve efficiency of operations
- Salespeople stay with prospects at all times and can easily move with them from vehicle to vehicle

Magnum was designed in response to the demand for a bigger and stronger KeyBox. Re-engineering the cam of the lock increased durability and improved the KeyBox's resistance to tampering. The new design features a recessed lid which also adds to the security and durability.



Supra Magnum

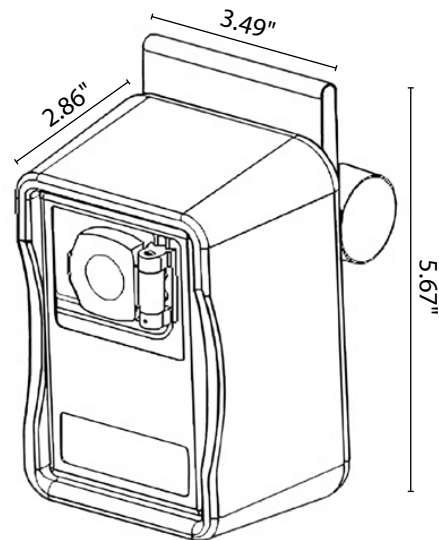
P/N 001288-01



Industrial Magnum

P/N 001287-01

A permanent-mount version for applications where window access is impractical.



800-889-8295

www.keyadvantage.com • keyadvantage@suprasystems.com

Supra
4001 Fairview Industrial Dr. SE
Salem, Oregon USA 97302