

The Indigo is Supra's newest mechanical KeyBox for the automotive market. Made from a special aerospace aluminum alloy, the Indigo is ultra lightweight and has the largest storage capacity of any of our KeyBoxes.

The Indigo was designed specifically to accommodate automotive dealerships that remove keys nightly. This design incorporates the new Snap Shut™ locking system.

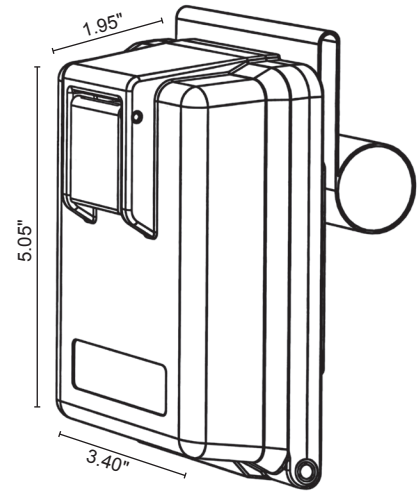
### Features

- Ultra lightweight aerospace material
- Large capacity for multiple keys and remote devices
- Snap Shut™ design: No key required to close
- Secured Title™ lock
- Durable construction

### Benefits

- Designed for nightly vehicle key removal
- Service customers faster
- Improve efficiency of operations
- Salespeople stay with prospects at all times

After nightly key removal, the Snap Shut features makes vehicle key storage a snap! At night, dealership lot attendants open the Indigo using their lockbox key and retrieve the vehicle keys. Overnight, the box is left open on the vehicle. The next morning, lot attendants place the vehicle keys inside the Indigo and simply close the lockbox. No master key required!



# The lightweight Indigo makes vehicle key storage a snap!

U.S.A.  
4001 Fairview Industrial Dr. SE  
Salem, OR USA 97302  
T 800.547.0252  
F 503.375.9381

Canada  
850 Industrial Ave. Unit 5  
Ottawa, Ontario K1G 4K2  
800.267.6317  
T 613.737.3623  
F 613.737.5517

© 2010 UTC Fire & Security.  
All rights reserved.



Supra Indigo: P/N 01524

