

# Elante® Key Storage Tube

## Mounting Instructions

### 1 Introduction

The Elante® key storage tube is designed for fleet key control and is permanently mounted onto vehicles. The Elante key storage tube does not block proximity key signals. Do not store proximity keys in the Elante key storage tube.

If you choose an installation method other than the one described in these instructions, Supra® will not be responsible for replacing the Elante if it is damaged or destroyed.

#### 1.1 Purpose

The purpose of this document is to describe the steps required to install the Elante key storage tube.

#### 1.2 Safety Terms and Symbols

All notes, cautions, and warnings precede the action step. These terms may appear in this document.

#### 1.3 Technical Support

For technical support call 1-800-248-6189 or contact your sales representative. For more information on Elante, view the Elante page at <http://www.suprasystems.com/Products/Pages/Elante.aspx>.

#### 1.4 Components

QTY	Description
1	Elante Key Tube
6	Rivets
1	Mounting gasket

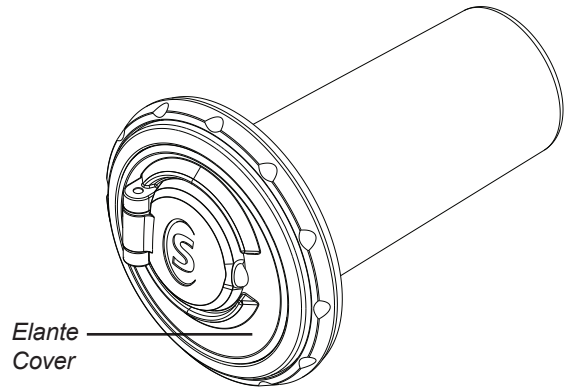


Figure 1. Elante Front Cover

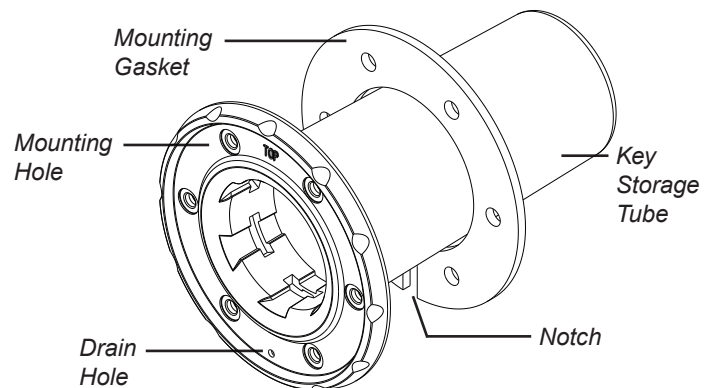


Figure 2. Elante Assembly

### 2 Requirements

#### 2.1 Required Tools and Equipment

QTY	Description	QTY	Description
1	2-1/4" hole saw or sheet metal Step Drill	1	Rivet tool
1	Drill with #20 drill bit	1	Sandpaper or file



© 2017 United Technologies Corporation. All rights reserved. Supra is a part of UTC Climate, Controls & Security, and a unit of United Technologies Corporation. Supra and Elante are registered trademarks of United Technologies Corporation. Other brand and product names are or may be the trademarks of, and are used to identify products or services of, their respective owners. P/N 43232 Rev F, EN

## 2.2 Required Documentation

Nomenclature	Document Number
Elante Mounting Plate Drill Template	10103724P1

## 2.3 Location Requirements

- Must be close to the door
- Is of sufficient depth to fit key storage tube
- Has no structural members
- Is a vertical flat surface (see mounting orientation images below)

**Note:** The Elante must be mounted so the tube is flat or angled forward to allow the drain hole to eliminate moisture.

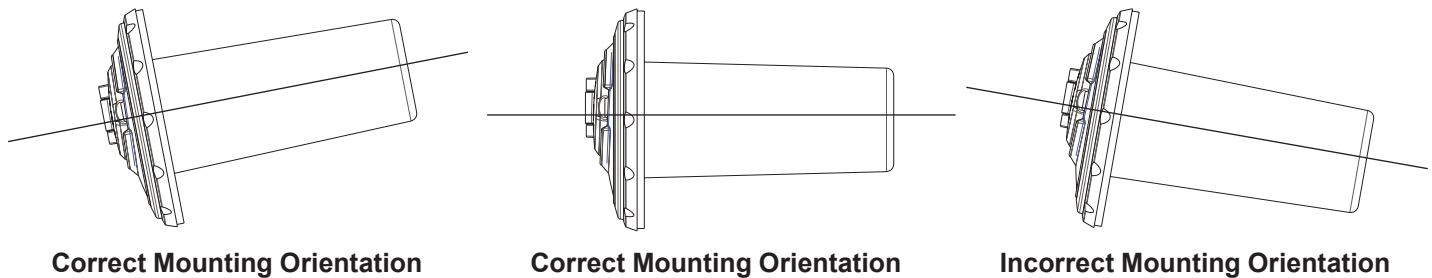


Figure 3. Mounting Angles

## 3 Installation

Read through these installation instructions before performing any installation steps.

Steps	Action
1.	Before drilling, verify there is no interference with any structural members of the vehicle.
2.	Use the Elante Mounting Plate Drill Template (10103724P1) as a template to mark the location for drilling the center hole.
3.	Use a 2-1/4" hole saw to drill the center hole marked on the vehicle body.
4.	Use sandpaper or a file to debur the 2-1/4" hole.
5.	Orient the tube so the small drain hole is at the six o'clock position and insert the key storage tube into the hole.
<b>Note:</b> Do not drill for the drain hole.	
6.	Use the key storage tube to mark the drill holes for the rivets.
7.	Remove the key storage tube and use a #20 bit to drill rivet holes.
8.	Using sandpaper or a file, debur rivet holes.
9.	Slide the mounting gasket into place on the tube, line up the gasket between the tube and the vehicle, orient the gasket at the six o'clock position, and align it with the drain hole.
10.	Insert the key storage tube into the hole with the drain hole and gasket notch aligned at the six o'clock position.
11.	Secure the tube to the vehicle using the six (6) rivets provided.
12.	Insert the vehicle key into the Elante.
13.	Close the Elante cover on the tube and lock it in place.